

**ORDINANCE # 2010.2**  
**AN ORDINANCE REGULATING MAILBOX INSTALLATION ADJACENT TO TOWNSHIP  
ROADS**

The Town Board of Rockford Township does hereby ordain:

1. The purpose of this ordinance is to regulate the existing and new mailbox installations within the township right-of-way.
2. Rockford Township incorporates by reference Minn. Stat. 169.072, Unauthorized Mailbox Installation as may be amended from time to time. See attached statute.
3. Along with the requirements of statute the Township will include the following requirements for mailbox installations:
  - Meets all US Postal Service requirements.
  - No more than a maximum weight of fifteen (15) pounds attached to the mailbox support.
  - The height of the mailbox and newspaper tubes will be 42" to 46" above the edge of the roadway.
  - The mailbox front will be six inches (6") from the shoulder of the roadway.
  - Maximum of two (2) mailboxes and two (2) newspaper tubes per installation, newspaper tube(s) shall be installed together with mailbox (es) wherever practical.
  - A maximum of twenty-four inch (24") cross arm length, if used. If a swing-away mailbox support is used this item shall not apply.
  - Maximum dimensions of mounting post shall be 4"X4" (wood), 4 1/2" diameter (wood), 2" diameter (metal pipe) (with a weight not in excess of 2.6 lbs. per foot) or a sign post if a swing away mailbox installation is used. If more than one support is needed the supports will be no closer than three (3) feet apart.
  - No support structure shall be embedded in the ground more than twenty-four inches (24"). No concrete shall be used to anchor the mailbox support.
  - The placement of heavy or large object as standards or bases is not permitted.
4. Violation of this ordinance shall be a misdemeanor, as stated in 169.072 subd. 3, punishable in accordance with state law.
5. This ordinance becomes effective immediately upon its passage and publication according to law.

Passed this 2 day of March 2010 by the Rockford Town Board.

**Dennis Beise**

Rockford Town Board, Chairperson

Attest:

**Rachelle L. McDougall**

Clerk/Treasurer

Dear Property Owner,

Attached are the Mailbox Installation Standards for our township.

Please install mailboxes and newspaper tubes to the standards above,  
if you have any questions, please call our office at 763/682-3499, thank you!

The Rockford Township Board

**Tube Replacement Information**

The township crew does not replace newspaper tubes.

**ECM** – (weekly free newspaper) – usually black in color, may have ADS written on the side

Call 763/241-8146 ask for Distribution and request a box & repair

They have one staff person who does repairs in the Spring.

**STAR-TRIBUNE** – green in color

Call 612/673-4343 to request a replacement box, it will be dropped off at your home.

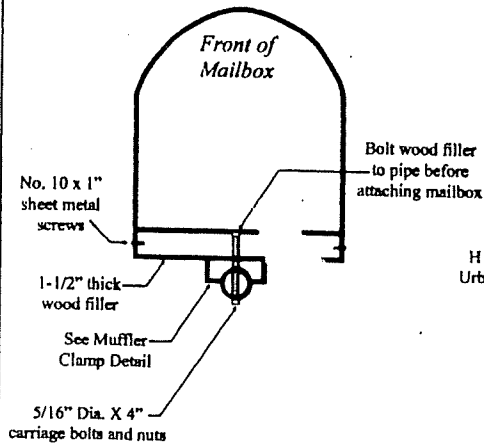
All installations are done by the customer, please follow the standards above.

# SwingSAFE Swing-Away Mailbox Support

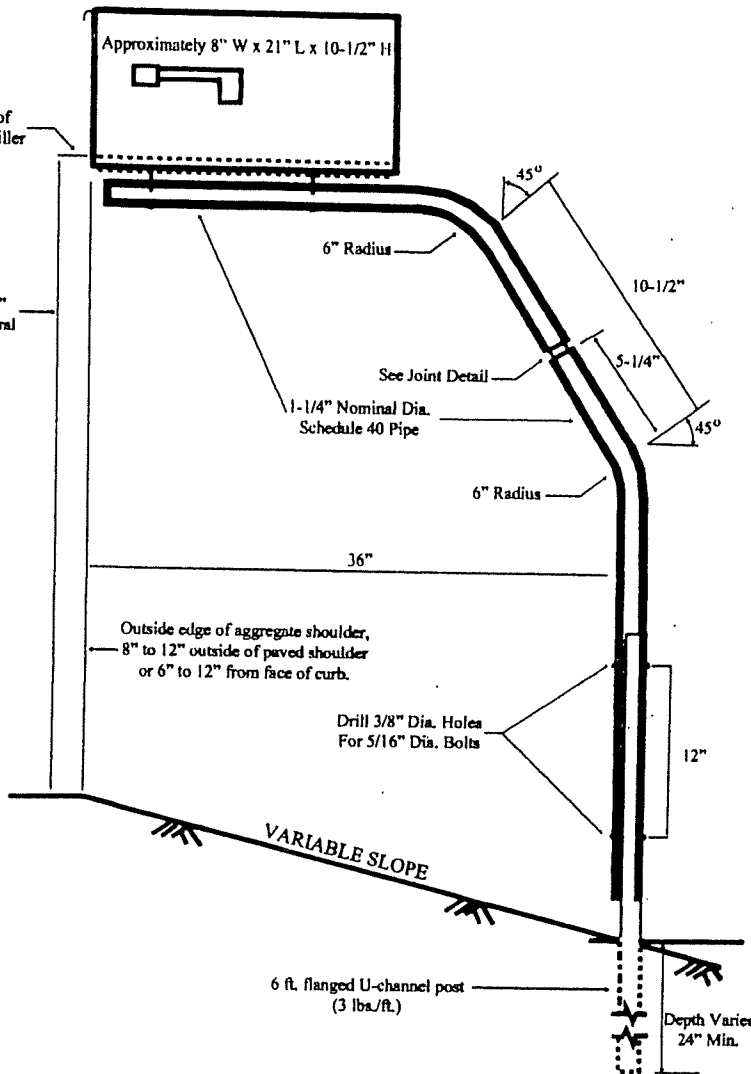
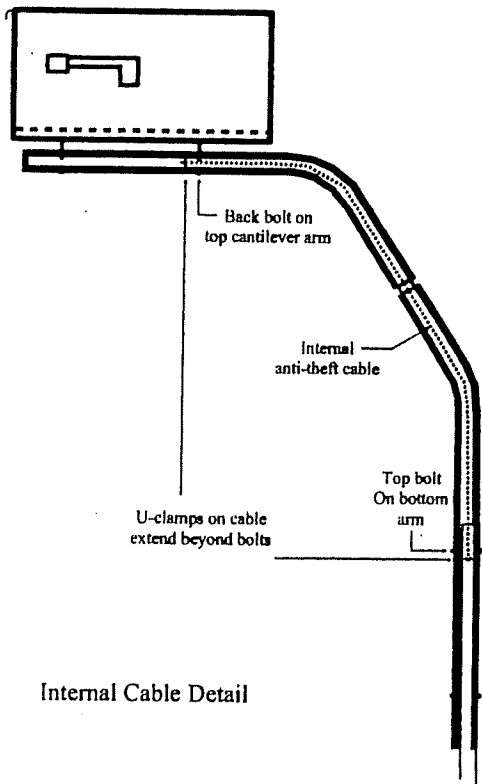
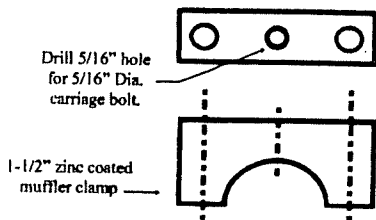
Drawing No: 12-108

Drafted: 1/5/11

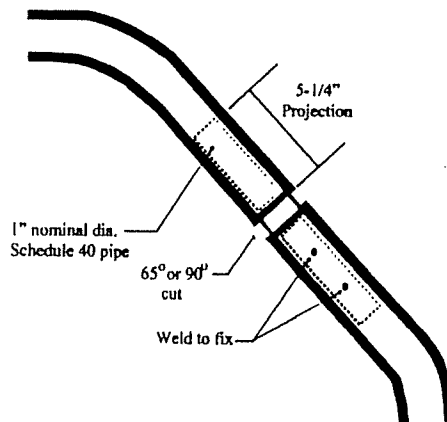
Pg. 1 of 2

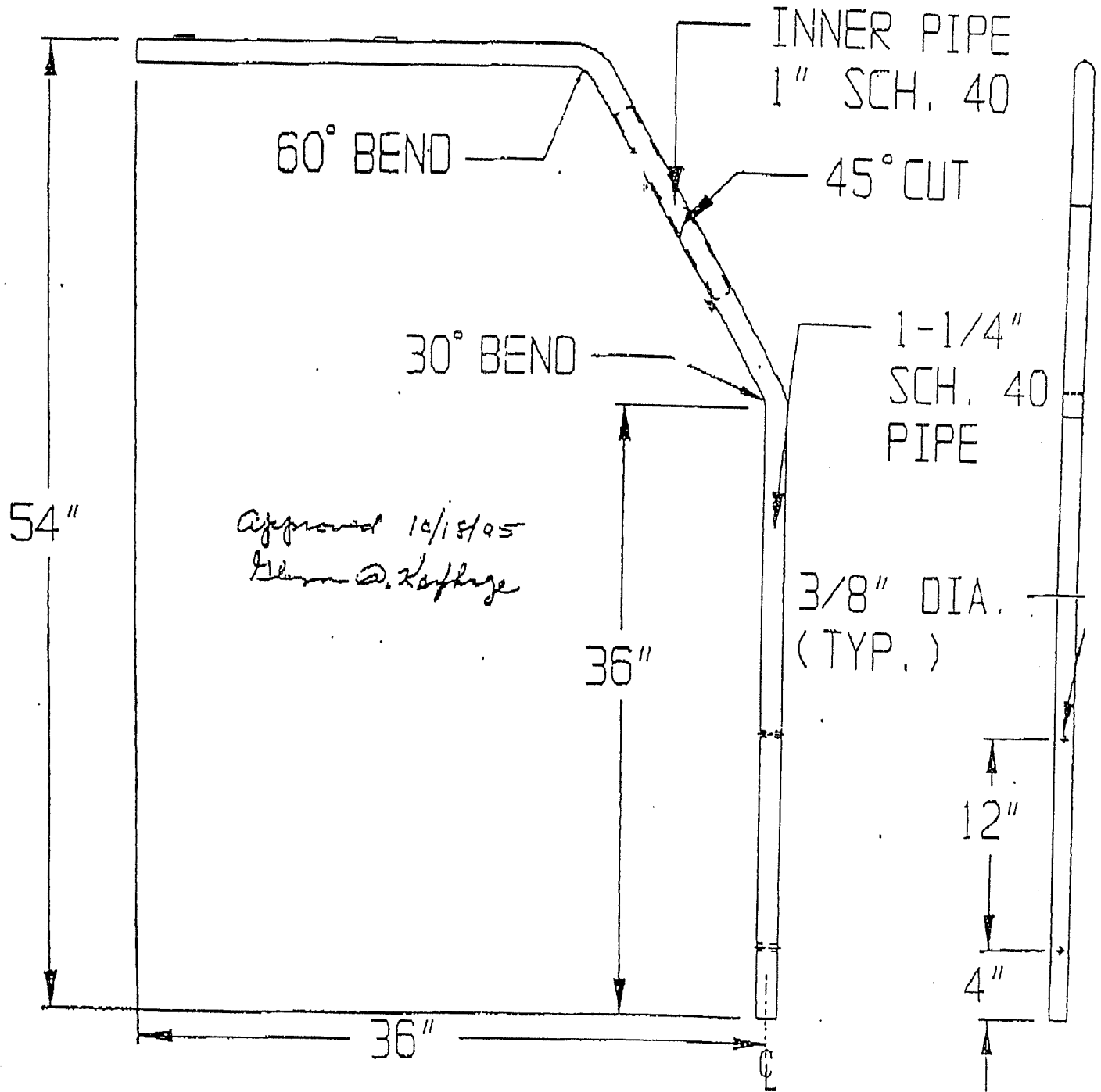
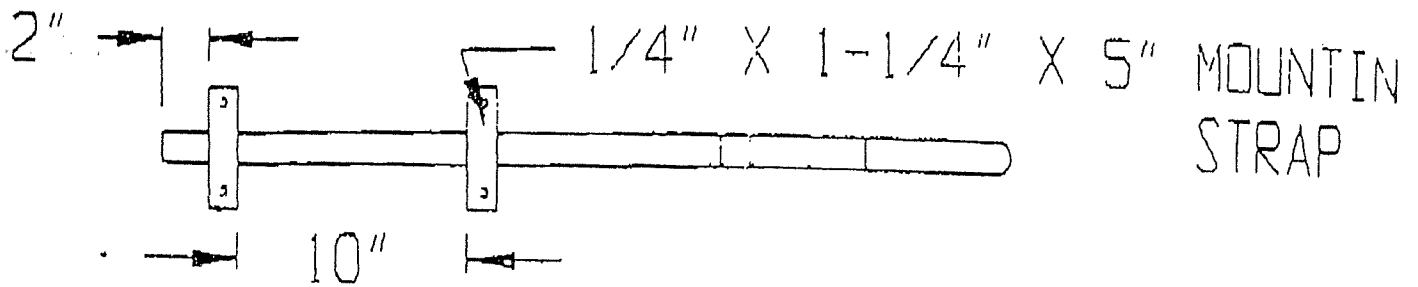


## Muffler Clamp Detail



## Joint Detail





HOT DIPPED GALVANIZED  
MAILBOX SUPPORT

JLR 10-95  
1/8 SCALE

60079-602